

DETAIL A
SCALE 1 : 2

Original Sheet Size : A1
3rd Angle Projection
Do not Scale

C	05/4/23	POST CAP SIZE REDUCED	MJS
B	27-3-23	THREADED INSERTS DELETED, POST WILL NOW BE SITE SPECIFIC DRILLED ON INSTALLATION	JAS
A	13-1-23	ORIGINAL ISSUE	JAS

Rev	Date	Description	By
Client: NATIONAL PARKS - IRELAND			

Detail
GENERAL ASSEMBLY
TYPE G2

Site
DIRECTION TOTEM - LARGE,
REDUCED HEIGHT

Material
Material <not specified>

Component weight
96.16 kg

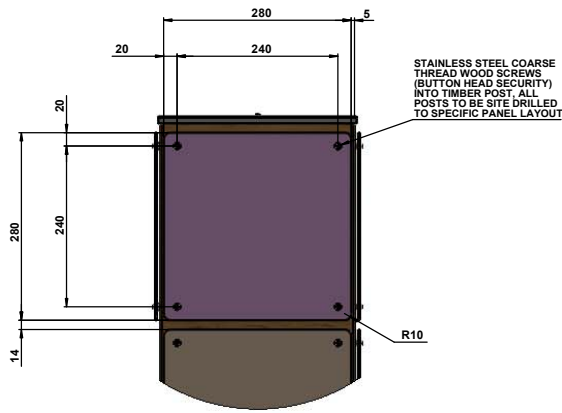
Drawn by	Checked by	Scale
JAS		1:6

Drawn date	Checked date	Approved for manufacture
13-01-23		X

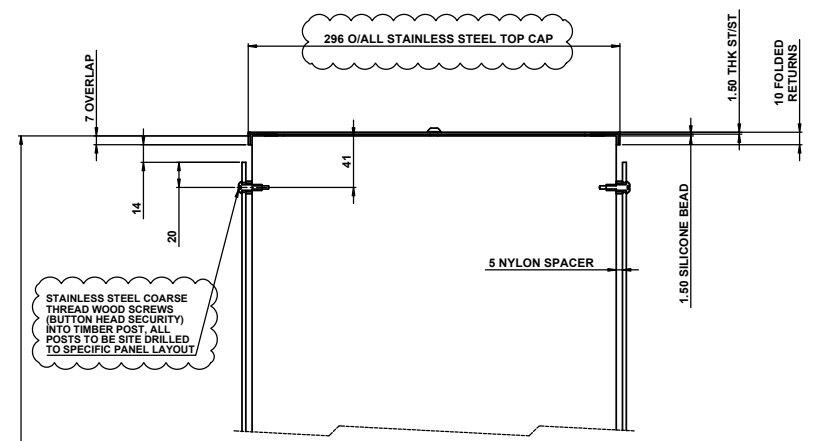
WW
Wood & Wood International Signs Ltd
Heron Road
Boston Industrial Estate
Boston
Lincs
LN20 7LX
01502 444501
www.wwsigns.co.uk

No part of this drawing & the design contained herein may be reproduced without the written consent of Wood & Wood Signs

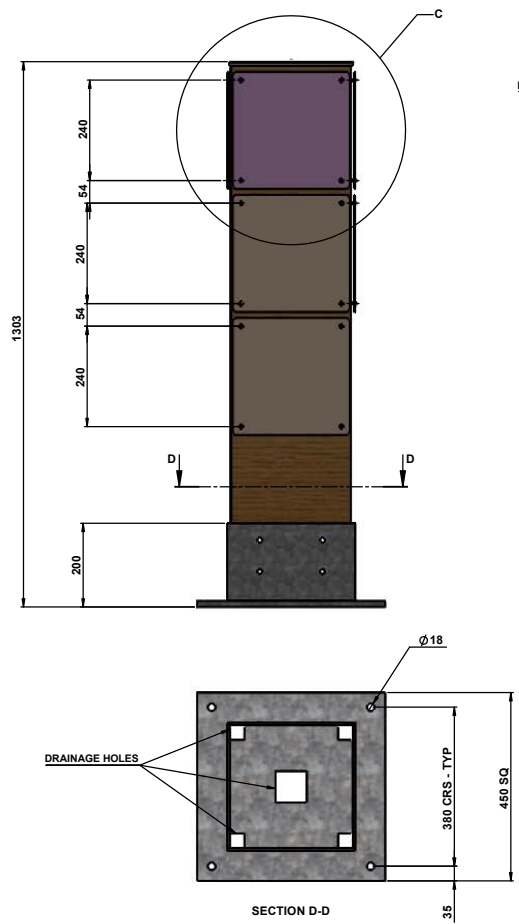
Drawing number	Rev
24073	C
Sheet of 2	



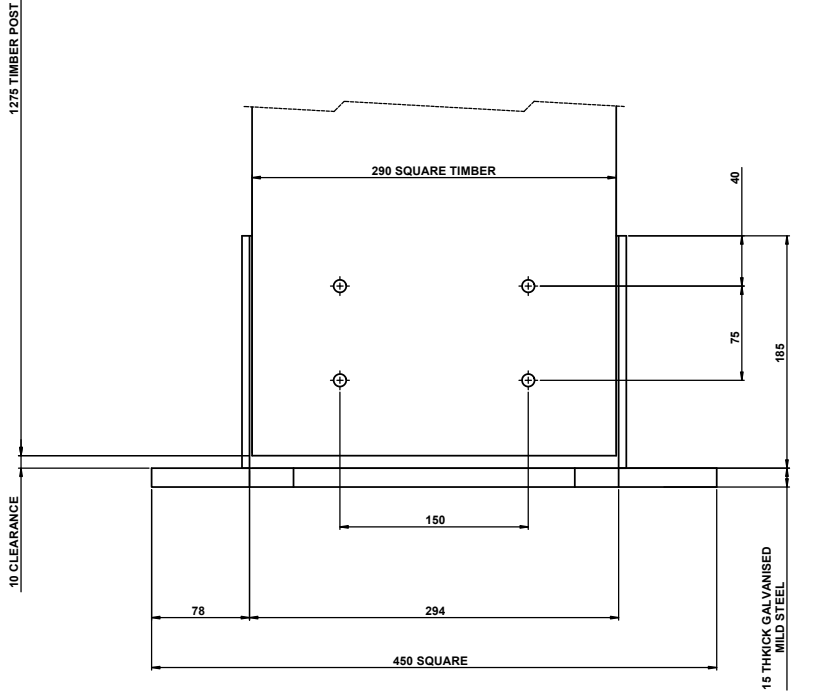
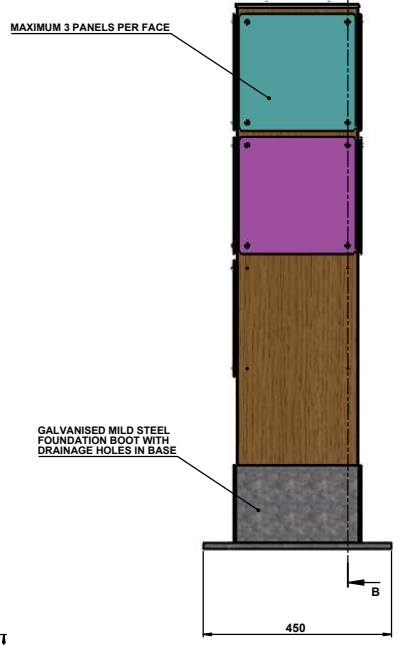
DETAIL C
SCALE 2 : 7.5



SECTION B-B
SCALE 1 : 2



SECTION D-D



Original Sheet Size : A1
3rd Angle Projection
Do not Scale

Rev	Date	Description	By
C	05/4/23	POST CAP SIZE REDUCED	MJS
B	27-3-23	THREADED INSERTS DELETED, POST WILL NOW BE SITE SPECIFIC DRILLED ON INSTALLATION	JAS
A	13-1-23	ORIGINAL ISSUE	JAS

Client:
NATIONAL PARKS - IRELAND

Detail
GENERAL ASSEMBLY
TYPE G2

Site
DIRECTION TOTEM - LARGE, REDUCED HEIGHT

Material
Material <not specified>

Component weight
96.16 kg

Drawn by	Checked by	Scale
JAS		1:6
Drawn date	Checked date	Approved for manufacture
13-01-23		X

WW
Wood & Wood International Signs Ltd
Heron Road
Boscon Industrial Estate
Ennis
CO. KL
01 392 444501
www.wwsigns.co.uk

No part of this drawing & the design contained herein may be reproduced without the written consent of Wood & Wood Signs

Drawing number	Rev
24073	C
Sheet 2 of 2	